

Important Information

HSM V-Press 860 eco

Vertical baling press

Model: HSM V-Press 860 eco

Double door with hand wheel door lock
incl. operating manual / declaration of conformity

- Rapid stroke technology saves time and money
- Special retaining claws optimize the compression of the pressing material and reduce the number of loading actions
- Comfortable easy-to-use membrane keypad with text display which shows the current status of the machine
- High process reliability due to HSM TCS (TorsionControlSystem)
- Basic equipment: 2 coils wire 2.8 x 3700 mm

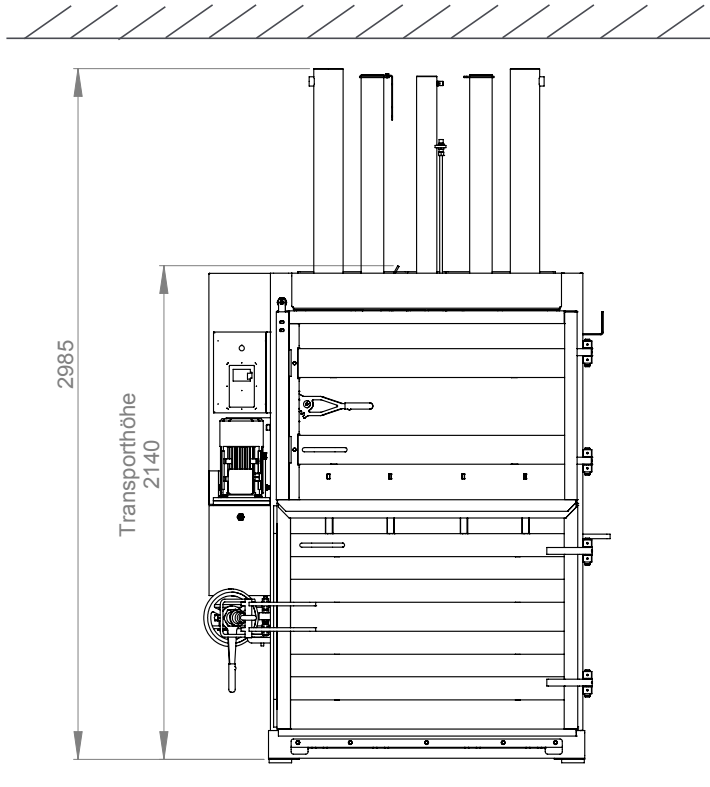


Pressing power in kN	548
Motor in kW	4
Voltage / Frequency	3 x 400 V / 50 Hz
Loading aperture W x H in mm	1195 x 650
Bale weight in kg (depending on material)	up to 480
Bale size L x W x H in mm	1200 x 780 x max. 1200
Hourly output in bales	1-2
Cycle time in idle operation (theor.) in sec.	25
Acoustic level in dB(A)	62.9
Press chamber size W x D x H in mm	1195 x 780 x 1640
Dimensions of machine* W x D x H in mm	1797 x 1070 x 2985
Transport dimensions of machine W x D x H in mm	1797 x 1070 x 2140
Machine weight in kg	1900
Strapping	4-fold with wire / optional polyester tape

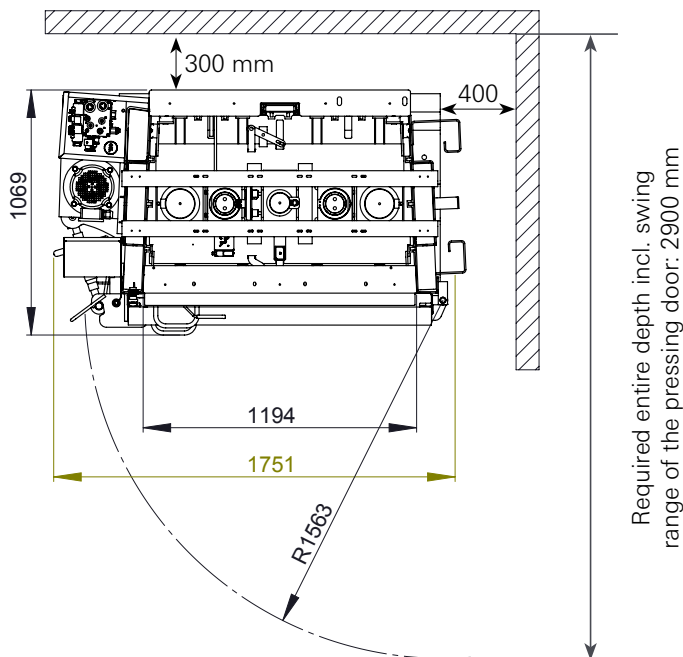
*External dimensions of the machine when set up for operation.

Dimensions and space requirement HSM V-Press 860 eco

Ceiling height min. 3000 mm



Please note the projections!



Required entire depth incl. swing
range of the pressing door: 2900 mm

Delivery and installation

HSM V-Press 860 eco

Delivery by truck:

- Is the place of delivery easily to access?
If NO – why not?
_____ yes no
- Do you have to cross a pedestrian zone for the delivery? yes no
- Has the truck to go through a gate for the delivery?
(Dimensions of the gate: _____) yes no
- Is there a truck loading ramp? (Height: _____) yes no
- Is a truck with an liftgate needed? yes no
- Is there a forklift truck available? (Lifting power: _____) yes no
- Is there a need to deliver without a trailer? yes no
- Are there limited delivery hours? yes no

Movement to the place of installation:

Is there a stair / a higher ledge on the way to the place of installation?
(an at-grade insertion has to be ensured)

yes no

Has the press to be transported with an elevator / a lift?
(loading capacity min. 2.0 t)

yes no

Are the dimensions of the doors high enough for the movement of the machine? (dimensions as pictured)

yes no

If not: width: _____ height: _____

If the dimensions of the door are not big enough HSM offers two possibilities:

door width < 1120 mm: with dismantled door

door height < 2170 mm: delivery of the lying machine

Is the potential floor loading adequate for the machine?
(floor loading max. = 1000 kg per m², bale weight enclosed)

yes no

Is the place of installation with basement?

yes no

Is there a ceiling height of in minimum 3 m?

yes no



Delivery of the lying machine:
Dimensions of the pallet =
2200 x 1300 mm



Minimum sizes of the doors /
passages

HSM®

Great Products, Great People.

Electrical connection HSM V-Press 860 eco

Rated power	4.0 kW
Operating voltage U	400 V
Frequency	50 Hz
Rated current I _n	8.5 A
Battery backup	3 x 16 A (K-, C-, gL-characterise)
Connector plug	CEE 5 x 16 A 6 H
Length of power supply	approx. 3000 mm



Is there an electrical connection with the mentioned values at the place of installation?

yes no

Consumable materials HSM V-Press 860 eco



Strapping wire

HSM order number: 6135 993 002
Ø x L = 2.8 x 3700 mm



Strapping tape WG 55

HSM order number: 6514 993 000
(Tape station for strapping with polyester tape must be ordered separately)

Do you have any questions ?

Your Power Bear contact person is glad to help! +971 4 885 4249 Fax: -1102

Contact person: _____

Telephone: _____

Delivery address: _____

Place / Date / Customer signature:
