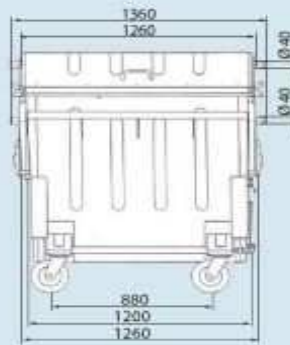
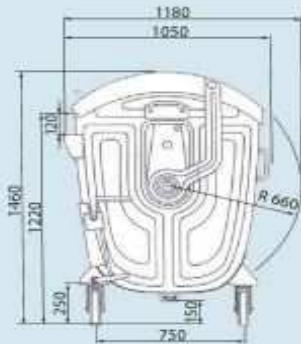




# 1100L GALVANIZED DOME LID WASTE BIN



## Technical data

Capacity .....	1100 Ltr. +/- 6%
Maximum Load ....	440 kg
Weight .....	125 kg
Material .....	Hot dip galvanized steel
Wheels .....	Corrosion resistant Ø 200 mm 360° swivel 2 castors with wheel stop
Lifting Trunnions ..	Standard
Dimensions .....	Width 1.370 mm app. Height 1.470 mm max. Depth 1.116 max.

## Options

Glass/paper opening
Child security device
Towing system
Central wheel braking system
Lid lock
Fork lift pockets
DIN comb

## Trolley bin with sliding lid MGB 1,1 cbm

- Body and lid made of hot dip galvanized steel
- Container frame made of steel pipe/flat steel
- Container walls and lid strongly embossed
- High stability provided because of continuously welded seams
- Drainage plug 2" with plastic cap at the bottom
- Lid lock for full opening or half opening
- Lid hand protection rubber profile
- Two hand operational child safety lock
- Trunnion lifter (optional with comb lifter)
- 4 swivel wheels · Ø 200 mm, at the front with brakes, left sided wheels with directional stopper